

# Conductive level controller

## MS8105



TECHNICAL DESCRIPTION AND INSTRUCTION FOR USAGE

PLOVDIV 2004

### I. TECHNICAL DATA

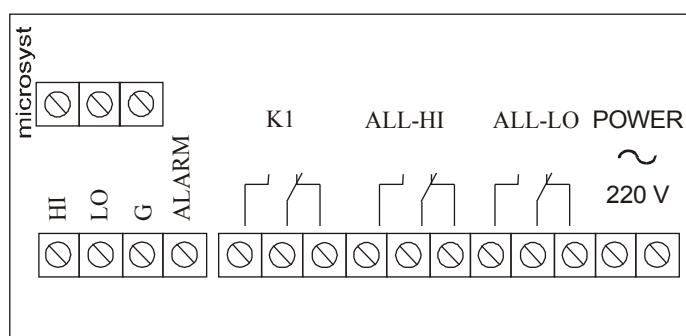
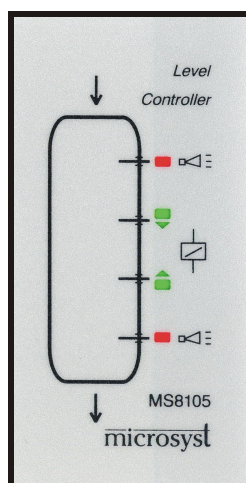
<b>Relay output</b>	3
K1 – Control of high and low level	Relay 250 V / 5 A
K2 – Alarm high level	Relay 250 V / 5 A
K3 – Alarm low level	Relay 250 V / 5 A
<b>Power supply</b>	
Power supplying voltage	220 V AC
<b>Operating conditions</b>	
Operating temperature	0 ... 50 °C
Operating relative humidity	0 ... 80 % RH
<b>Dimensions</b>	
Overall dimensions (WxHxL)	48 x 96 x 128 mm
Installation	Panel in a hole 44 x 90 mm
Weight	max 300 g
<b>Storage</b>	
Storage temperature	-10 ... 70 °C
Storage relative humidity	0 ... 95 % RH

### II. DESIGNATION

The device is designed to control the level of all types of conductive liquids in closed or opened vessels in four points. The controller operates according to the principle of the electric conductivity.

It is suitable for state control of all types of conductive liquids at control of technological processes in the food, chemical, pharmaceutical and other industries. MS8105 features small dimensions and weight and easy way of usage.

### III. FRONT AND BACK PANEL



IV. CONNECTION OF LEVEL PROBES TO MS8105

CONTROL OF FILLING

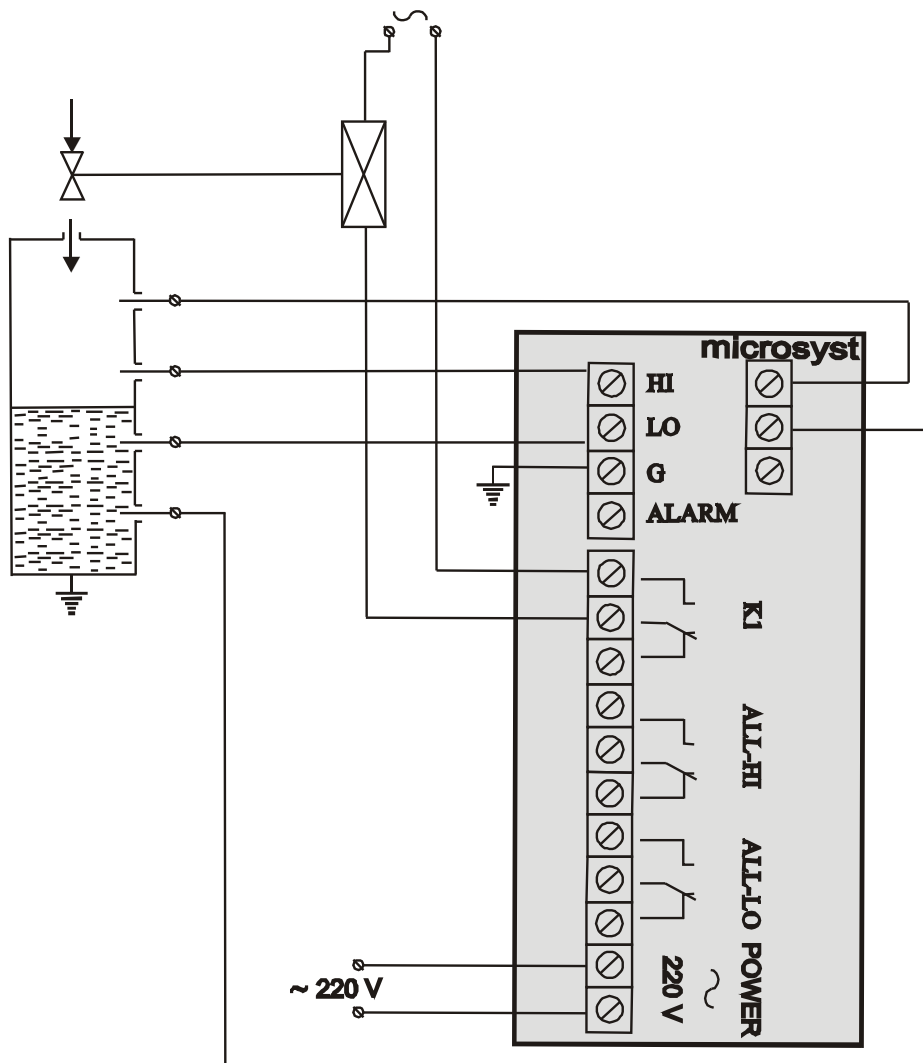


Fig. 1

CONTROL OF EMPTYING

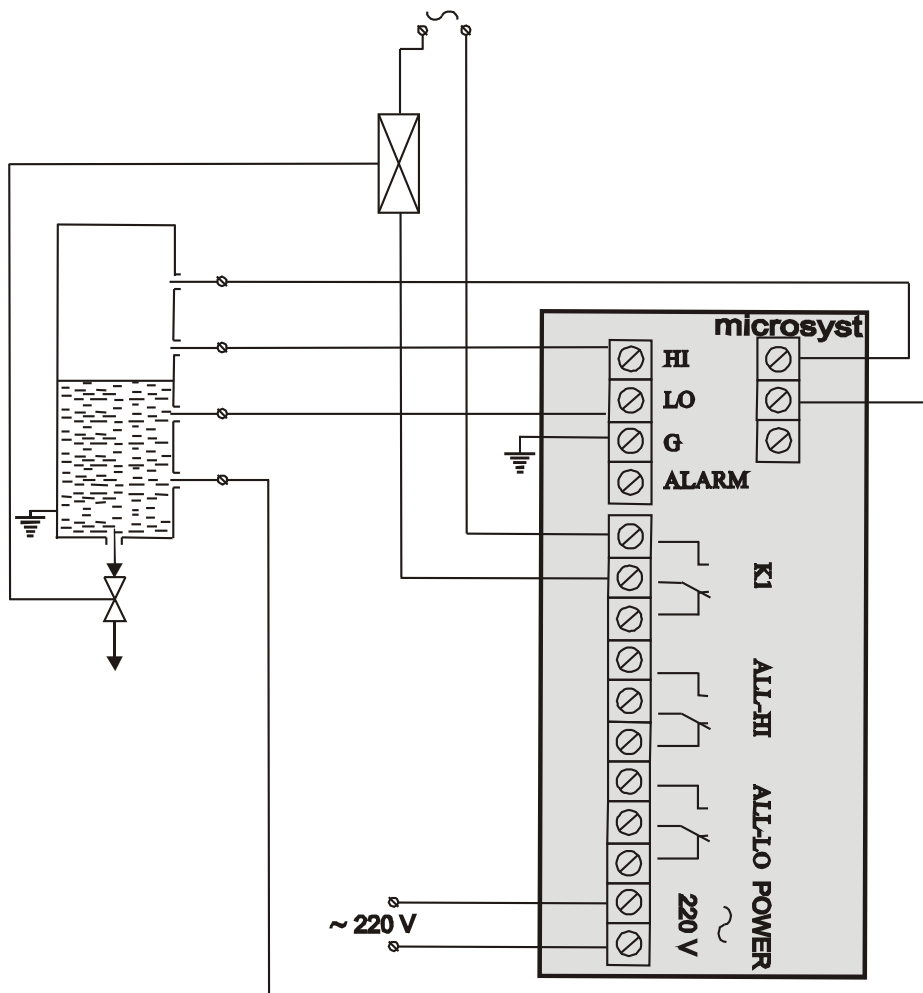


Fig. 2

- If the case of the vessel is not conductive the mass G must be switched to third electrode, submerged under the level L.
- The alarm levels for high and low level are option of the level controller.

Bulgaria, 4002 Plovdiv, 4 Murgash str.  
Tel.: (+359 32) 642 519, 640 446 Fax: (+359 32) 640 446  
[www.microsyst.net](http://www.microsyst.net) e-mail: [info@microsyst.net](mailto:info@microsyst.net)